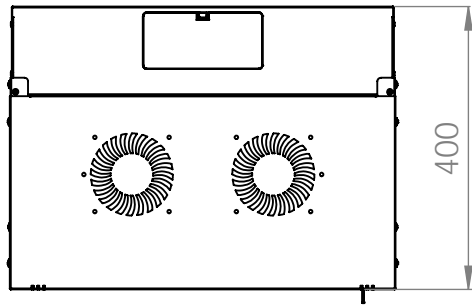
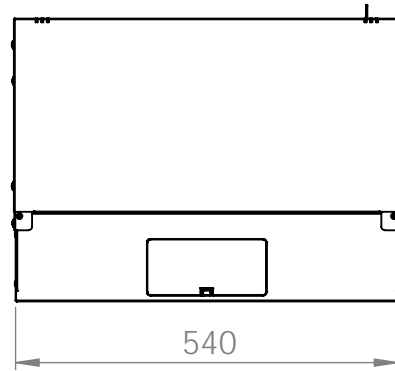




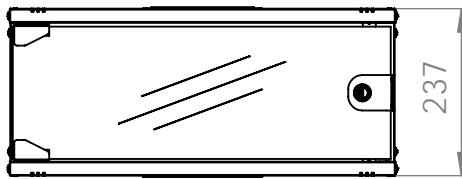
DN-49200, DN-49201, DN-49202,
DN-49203, DN-49204, DN-49205,
DN-49206, DN-49207



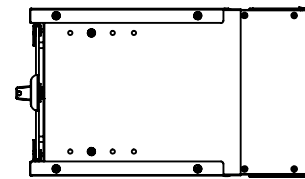
Top view



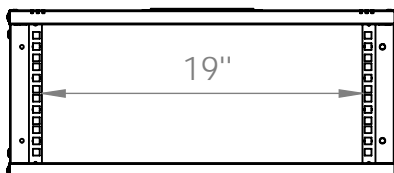
Bottom view



Front view



Side view



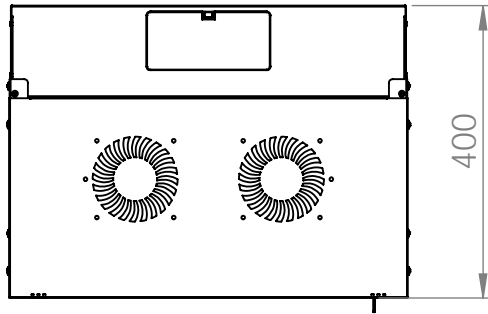
Front inside view



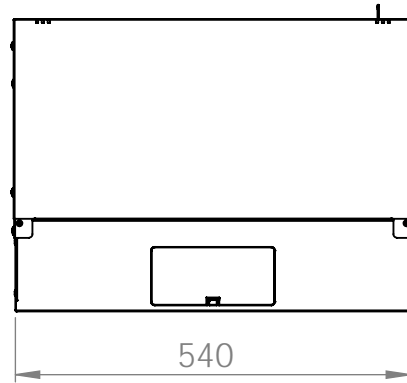
Rear view



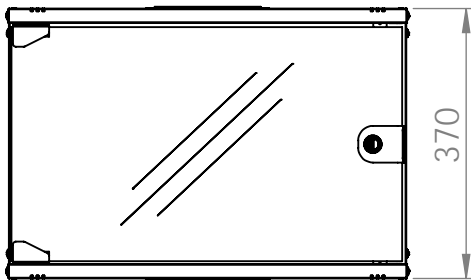
DN-49200, DN-49201, DN-49202,
DN-49203, DN-49204, DN-49205,
DN-49206, DN-49207



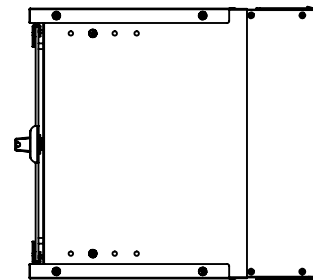
Top view



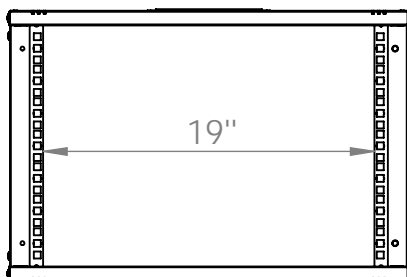
Bottom view



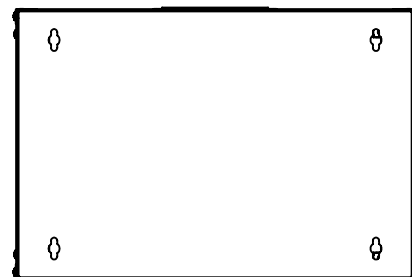
Front view



Side view



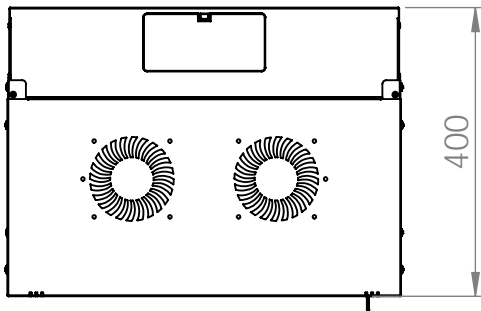
Front inside view



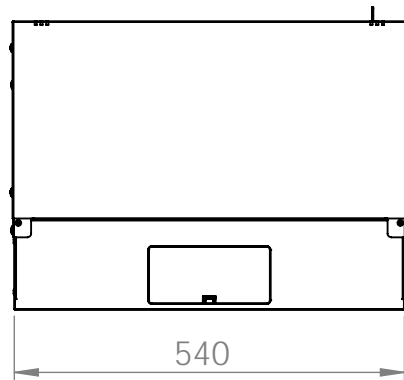
Rear view



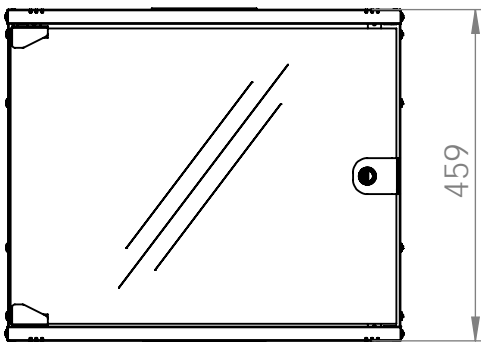
DN-49200, DN-49201, DN-49202,
DN-49203, DN-49204, DN-49205,
DN-49206, DN-49207



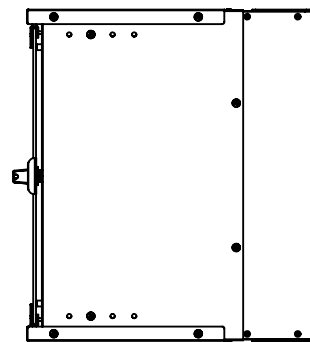
Top view



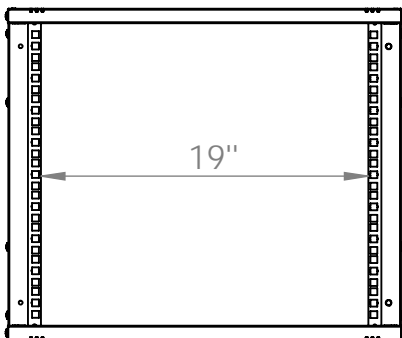
Bottom view



Front view



Side view



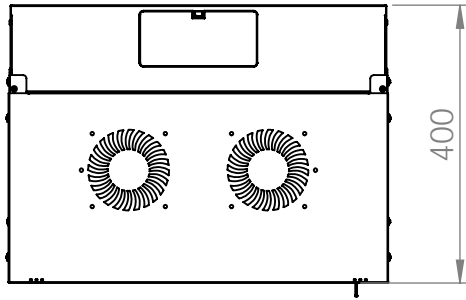
Front inside view



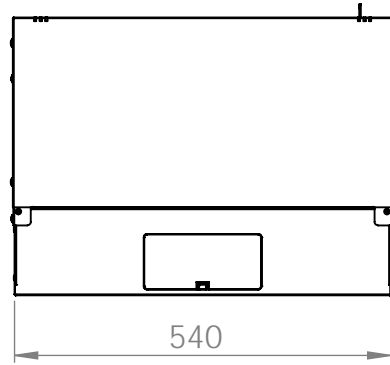
Rear view



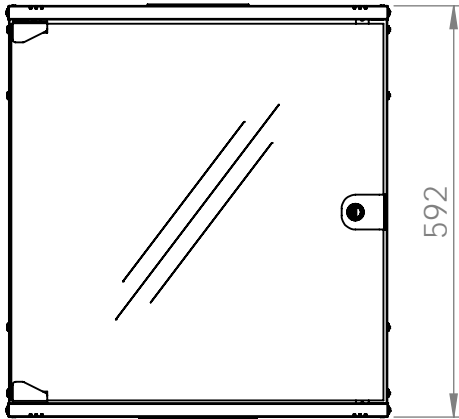
DN-49200, DN-49201, DN-49202,
DN-49203, DN-49204, DN-49205,
DN-49206, DN-49207



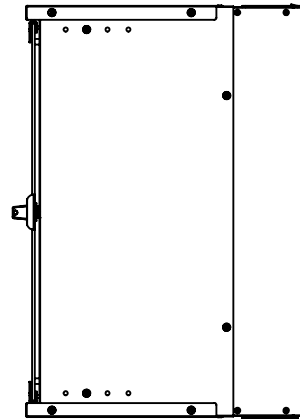
Top view



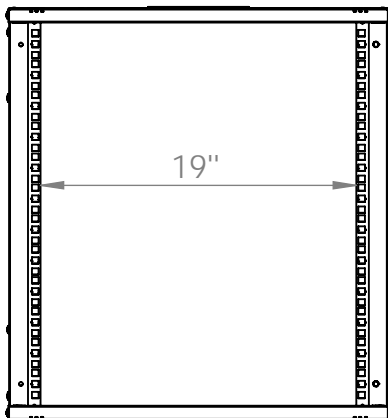
Bottom view



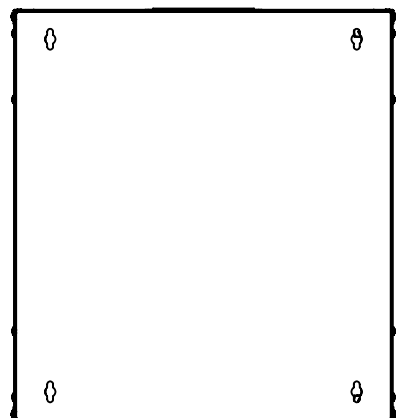
Front view



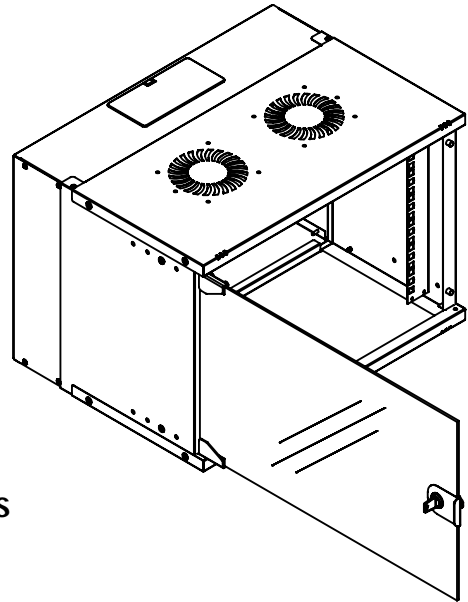
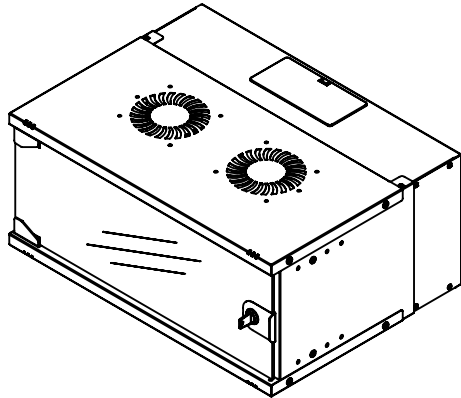
Side view



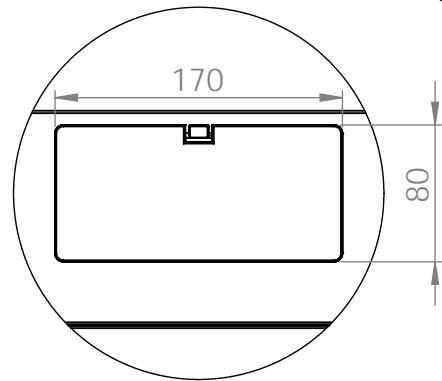
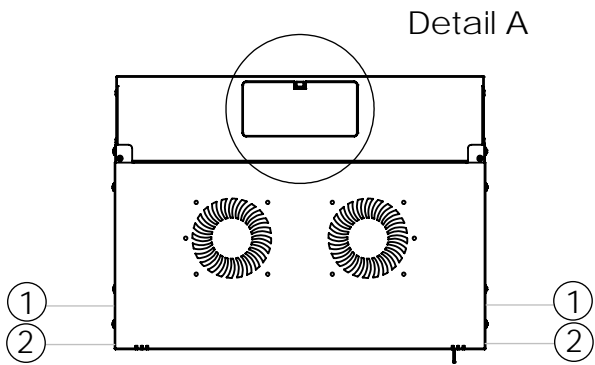
Front inside view



Rear view

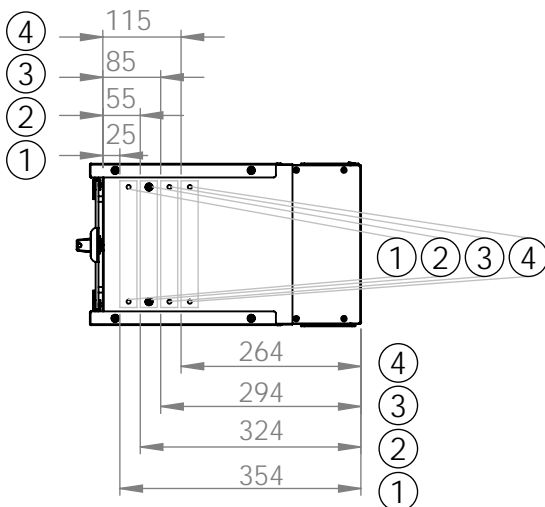


Isometric views



Detail A

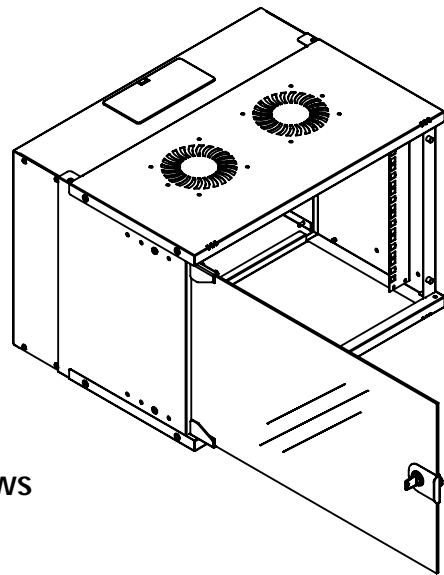
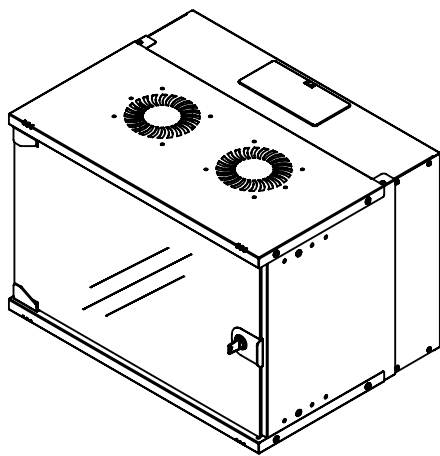
19" cabinet
in the top view



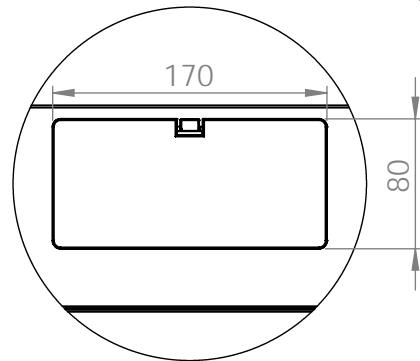
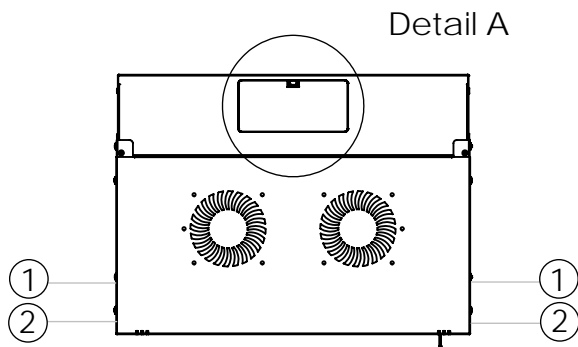
Rack rail
mounting dimensions



DN-49200, DN-49201, DN-49202,
DN-49203, DN-49204, DN-49205,
DN-49206, DN-49207

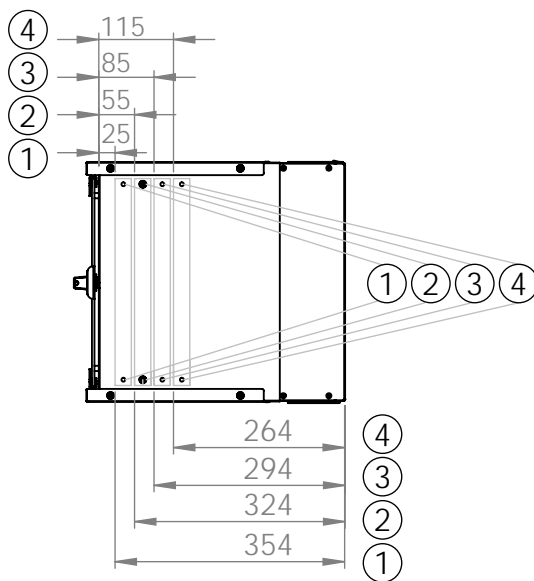


Isometric views

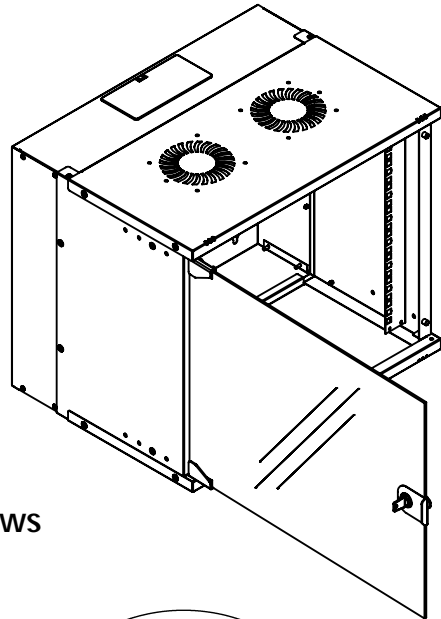
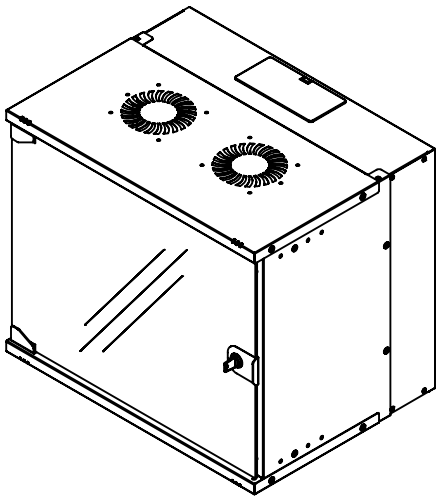


Detail A

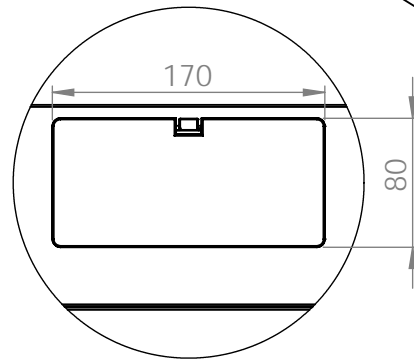
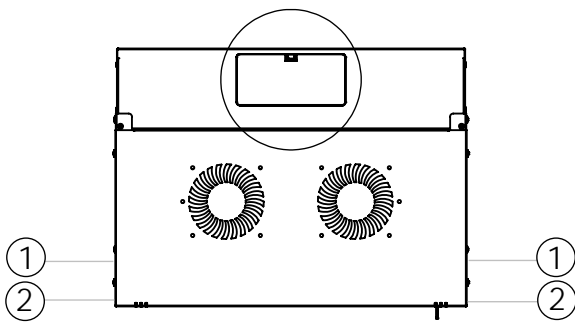
19" cabinet
in the top view



Rack rail
mounting dimensions

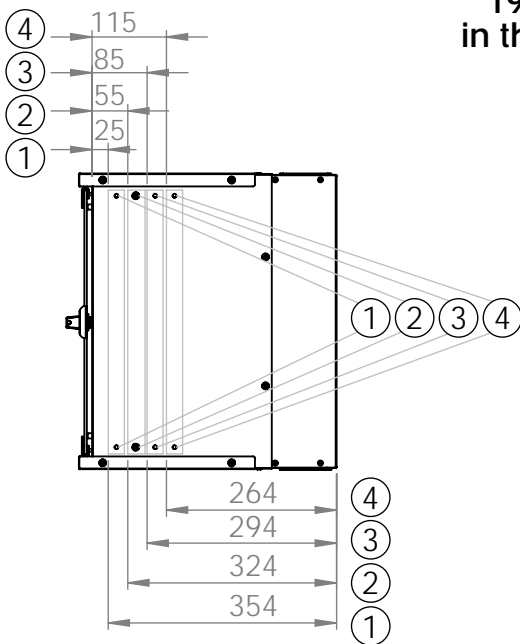


Isometric views



Detail A

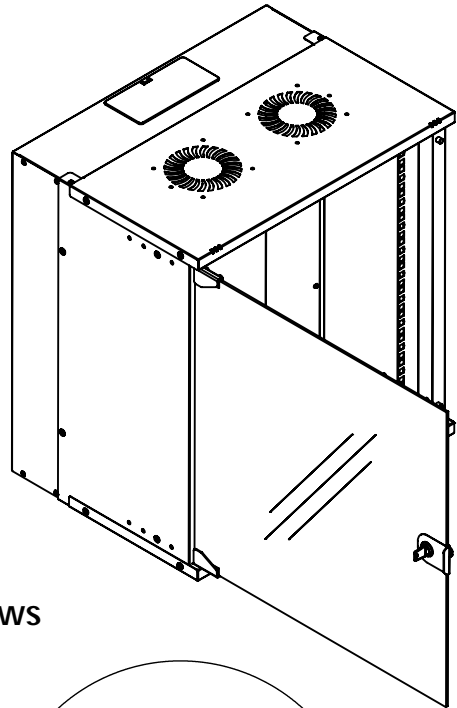
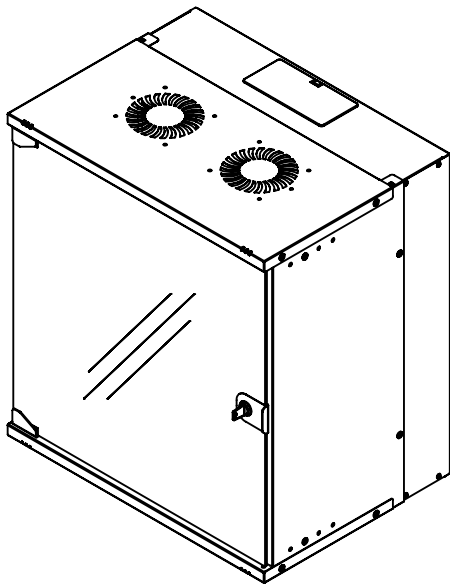
19" cabinet
in the top view



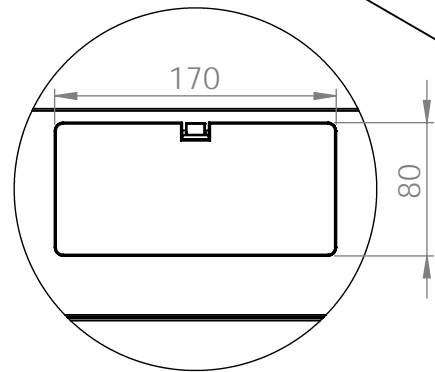
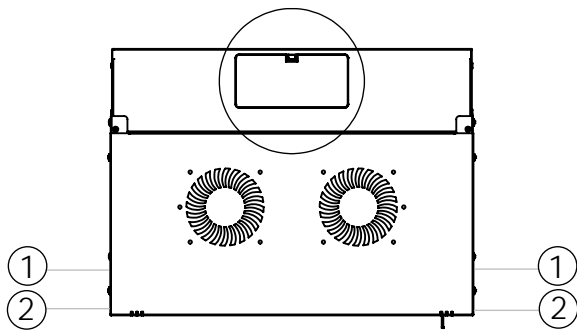
Rack rail
mounting dimensions



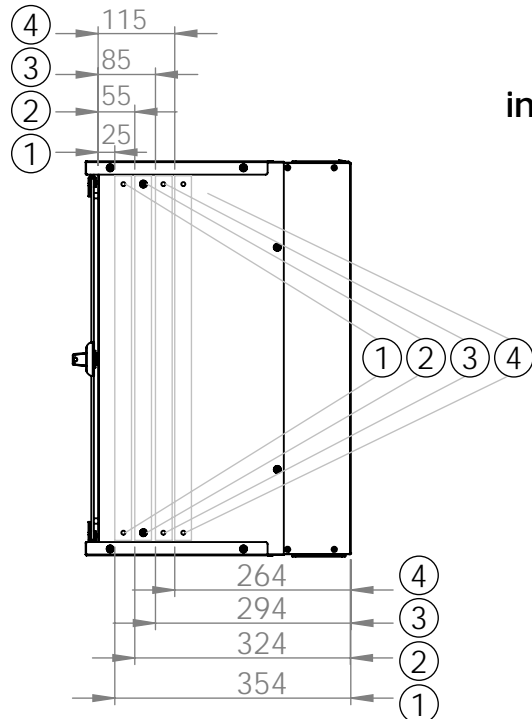
DN-49200, DN-49201, DN-49202,
DN-49203, DN-49204, DN-49205,
DN-49206, DN-49207



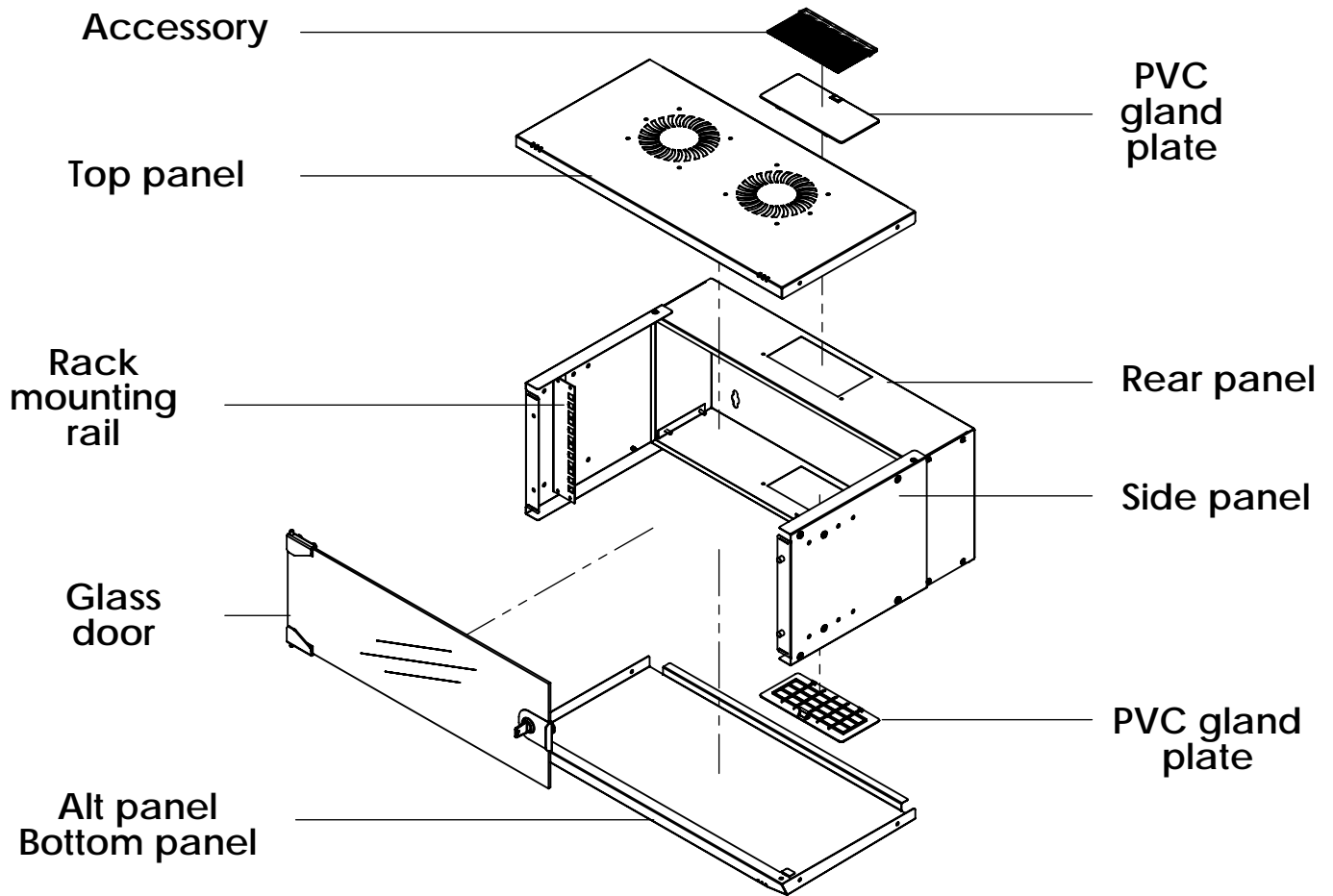
Isometric views



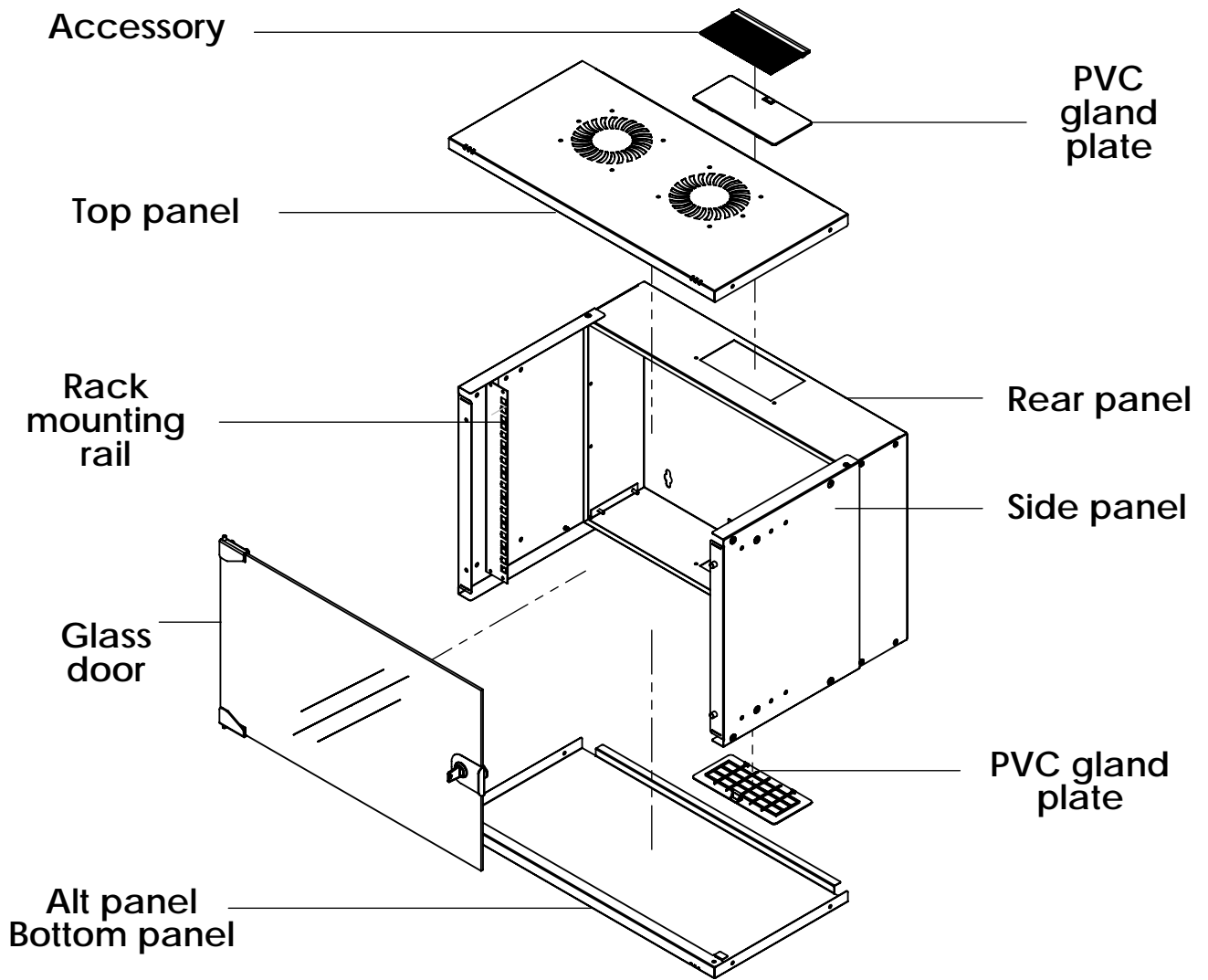
19" cabinet
in the top view



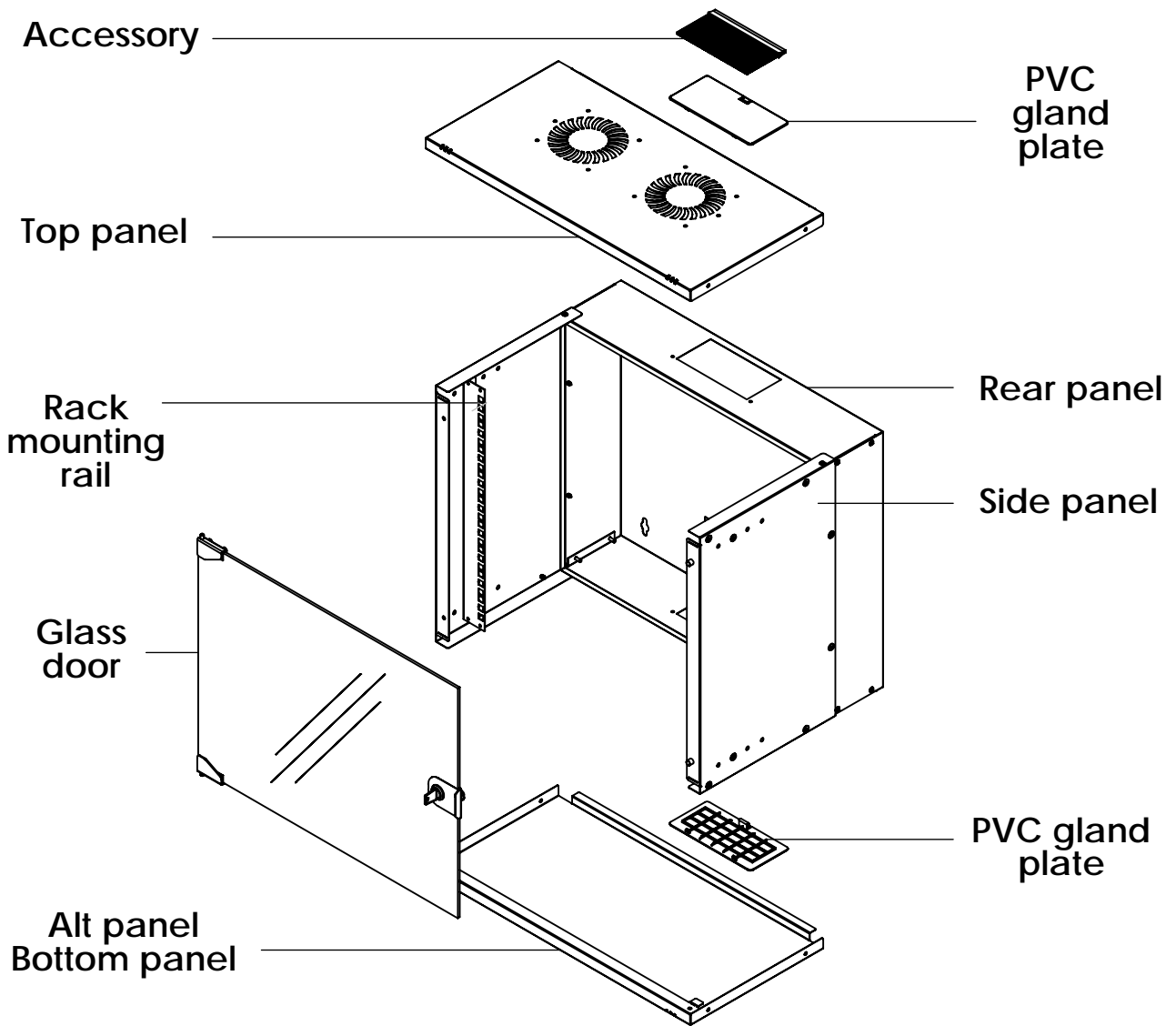
Rack rail
mounting dimensions



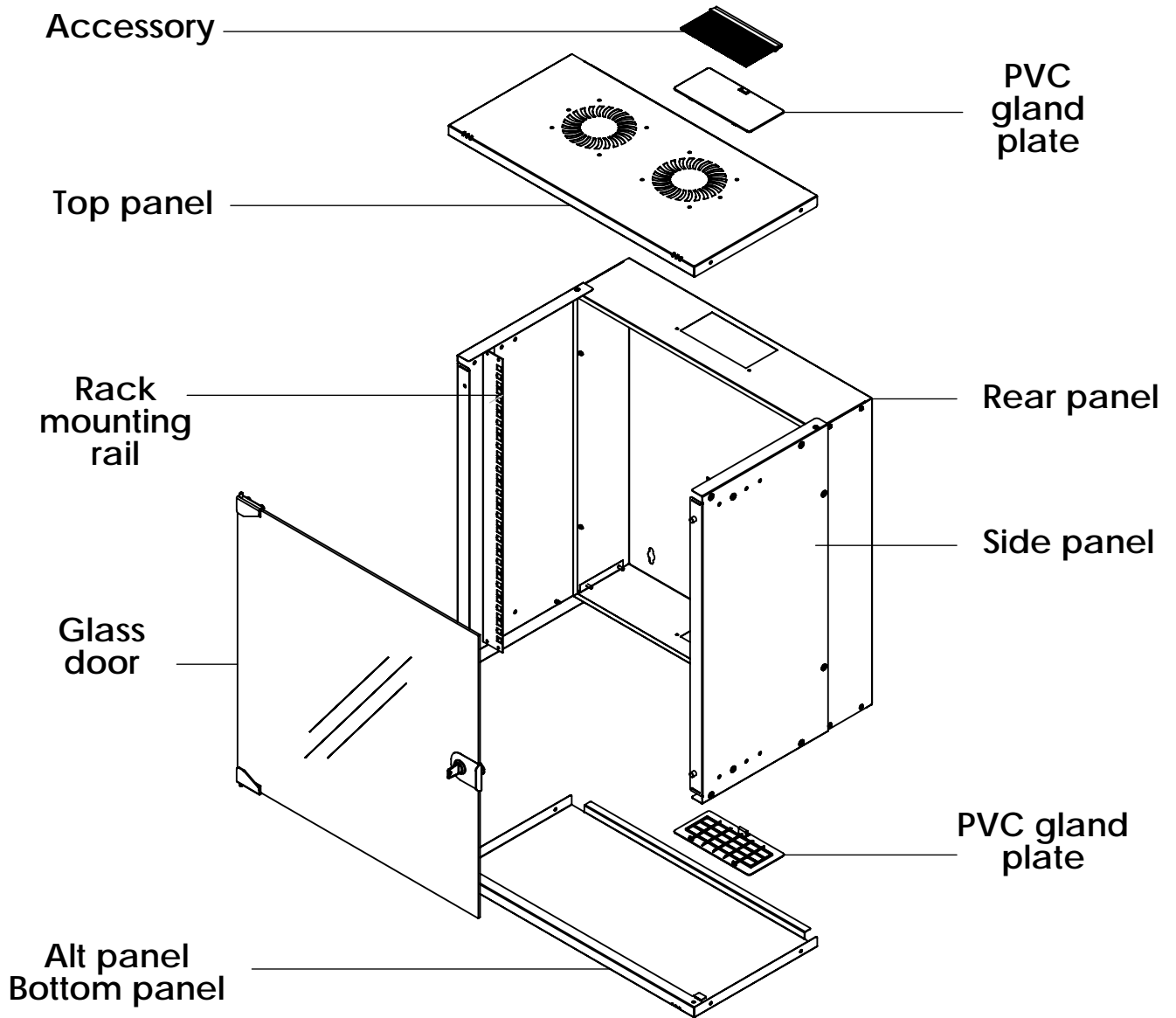
Exploded view



Exploded view



Exploded view



Exploded view