



Datenblatt - Fiche technique - Data sheet

11.99.4441



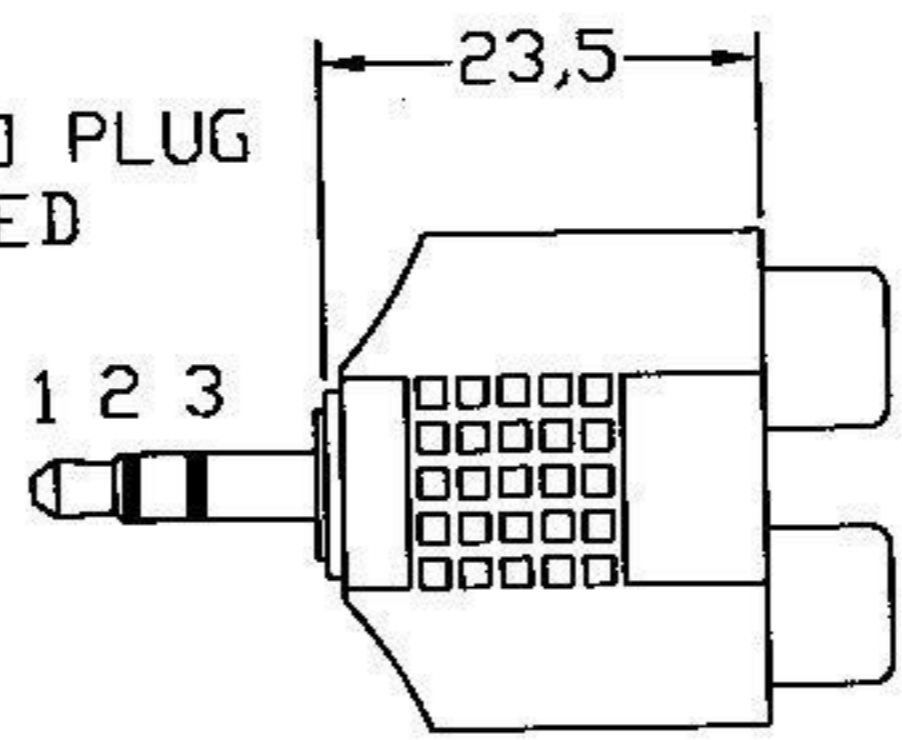
VALUE 3,5mm (ST)-zu-Cinch (2x BU) Adapter

VALUE Adaptateur 3,5mm (1x M, 2x RCA F)

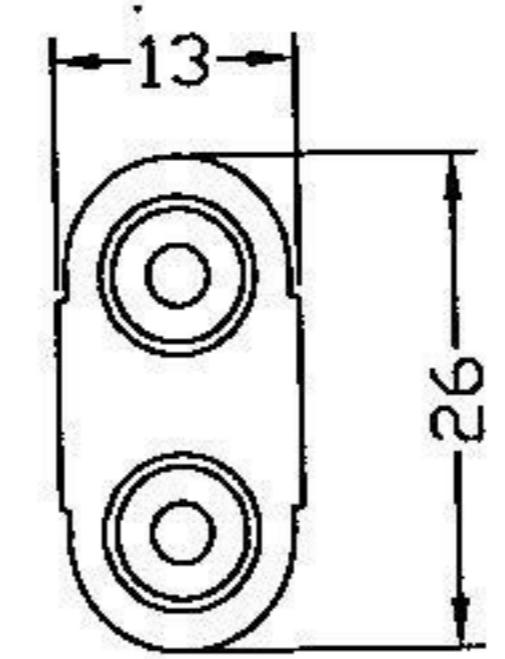
VALUE 3.5mm Adapter, 1x 3.5mm M to 2x RCA F

1	2	3	4	5	6		
LTR	RevNo	Revision note			Date	Signature	Checked

P1
3.5MM STEREO PLUG
NICKEL PLATED



2XRCA JACK
NICKEL PLATED



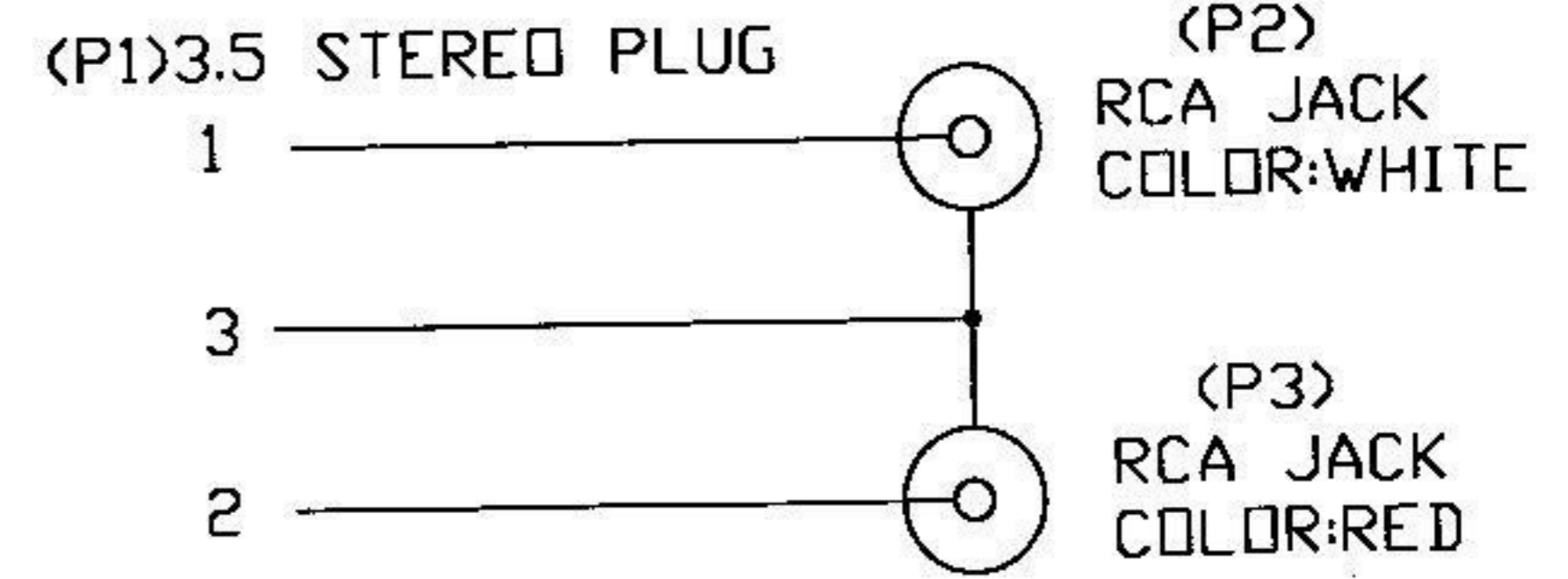
P2
COLOR:WHITE

P3
COLOR:RED

NOTES:

1. 3.5MM STEREO PLUG/2XRCA JACK ADAPTOR
2. CONNECTORS WITH NICKEL PLATED
3. ASSEMBLY HOOD COLOR WITH BLACK
4. (P2)RCA JACK INSULATOR COLOR WITH WHITE
(P3)RCA JACK INSULATOR COLOR WITH RED
5. TEST:OPEN/SHORT 100% TEST
6. PACKING:W/STICKER-MODEL
CODE-DIMENSION=2.5CMx0.5CM,100PCS/CTN

CONFIGURATION:



RANGE	0-10	11-25	26-40	41-60	61-80	81-100	X
TOLERANCE(±)	0.10	0.15	0.20	0.25	0.30	0.35	2%
TITLE: 3.5MM STEREO PLUG/ 2XRCA JACK	Buyer ROC	Date 06/28/03	Unit mm	Rev. 1.0	Dwg no. 11.99.4441		
DRN BY 曾鸿彬	CHK BY 曾世昌	APE BY ROTRONIC CO., LTD					