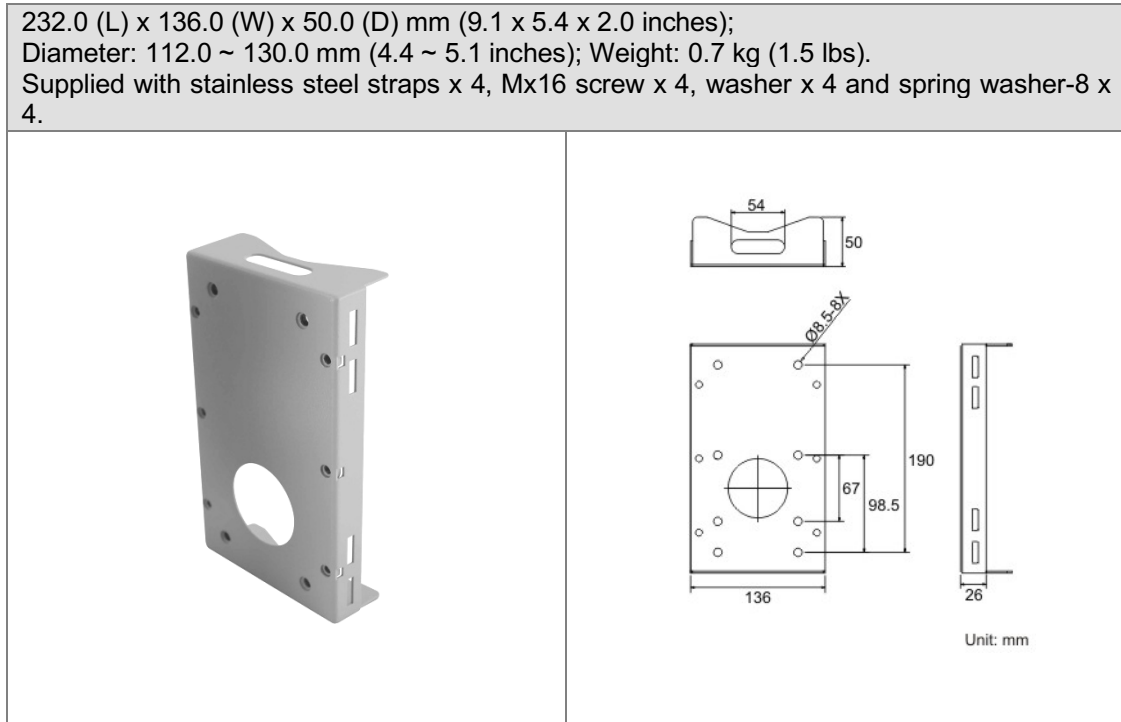


Pole Mount Installation

The MOBOTIX MOVE SpeedDome can be mounted on the wall with the accessory: Mx-M-SD-P. This installation guide is valid for the installation of the MOBOTIX MOVE VandalDome in combination with Mx-M-VD-W.



Items Needed:

- Power Cable
- Ethernet Cable
- Mx-M-SD-W (Mx-M-VD-W for installation with MOBOTIX MOVE VandalDome)

Tools Needed:

- Tool for cutting strap
- Tool for screwing
- PTFE Thread Seal Tape

Follow the steps below to mount the SpeedDome:

STEP 1

Fasten the Pole Mount on a pole with equipped stainless straps.

STEP 2

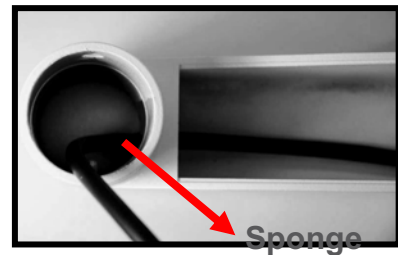
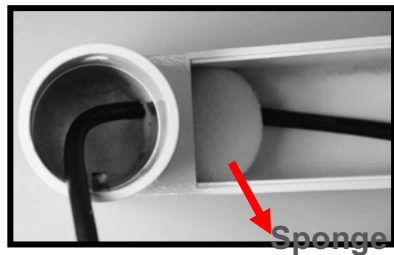
Run the cable(s) through the hole on the Pole Mount.

STEP 3

Fasten the Wall Mount onto the Pole Mount with the supplied screws and washers. Then thread the cable(s) through the Wall Mount with the cable(s) coming out of the Wall Mount's outlet.



NOTE: Please block the cable entry hole with the supplied sponge to avoid insects entering the Wall Mount. The sponge can be placed in two ways as shown in the illustrations below.



STEP 4

Coat the PTFE thread seal tape (not supplied) to the thread of mounting kit around five times for waterproof purpose as **Fig. 1**.

Then, thread the Ethernet cable and other cables through the mounting kit and fix the mounting kit to the Wall Mount.



(Fig.1)

STEP 5

Connect the cable(s) to the SpeedDome.

STEP 6

Fix the SpeedDome to the Mounting Kit with the supplied screw and washers.

Pole Mounting:

