



Technical Specifications

MOBOTIX MOVE 4K (8MP) Vandal Bullet Analytics Camera

The MOBOTIX MOVE 4K (8MP) Vandal Bullet Analytics Camera extends the existing range of MOVE IP Camera series with a performant 4K (8MP) resolution camera with DNN (Deep Neural Network) video analytics features, perfect for the daily security and surveillance needs. The camera performs fast and reliable auto focus and adapts to different indoor and outdoor scenes. The integrated MOBOTIX MxMessageSystem allows direct communication and interaction with MOBOTIX IoT cameras via the IP network. The front glass is protected by MOBOTIX EverClear superhydrophilic nano coating for best image quality even in the rain; its self-cleaning capabilities reduce cleaning efforts and operational costs.

- EverClear coating of front glass
- Motorized Remote Zoom & Focus
- Motorized Vari-Focal Lens 3.6 to 11 mm, F1.5 to F2.0 with One-Push Auto Focus
- Wide Dynamic Range (WDR) max. 130 dB
- MOBOTIX MxMessageSystem communication system
- Integrated Video Analytics (DNN ready)
- Integrated IR LEDs up to 40 m Distance
- ONVIF Profile S/G/T support
- Triple Power Support (PoE/12 VDC/24 VAC)
- Extended Temperature Range: -55 to 60 °C/-41 to 140 °F with Heater ON
- IP66 and IK10



Technical Specifications

MOBOTIX 4K (8MP) Vandal Bullet Analytics Camera

Product Information

| | |
|--------------|---|
| Product Name | 4K (8MP) Vandal Bullet Analytics Camera |
| Order Code | Mx-VB1A-8-IR-VA |

Image Quality

| | |
|-------------------------|--|
| Image Sensor | SONY 4K (8MP), 1/1.8" Progressive CMOS |
| Effective (Used) Pixels | H x V = 3864x2180 (4K/8MP) |
| Pixel Size | 2.0 μm |
| Frame Rate (maximum) | H.265/H.264: 3864x2180 @30 fps + 1920x1080 @30fps MJPEG: 1080p @30fps |
| Front Glass Coating | Superhydrophilic and self-cleaning EverClear nano coating reduces image reflections and camera cleaning efforts (coating endurance up to 3 years depending on environmental conditions and cleaning treatment) |

Lens

| | |
|----------------------|--|
| Minimum Illumination | Color: 0.04 lux B/W: 0.002 lux |
| Lens Characteristics | Motorized Lens: Zoom, Focus, P-IRIS Focal Length: 3.6 to 11 mm Aperture: F1.5 to F2.0 Horizontal Field of View: 115.0° (Wide), 47.5° (Tele) Vertical Field of View: 61.2° (Wide), 27.0° (Tele) |

Camera

| | |
|--------------|---|
| Day/Night | Automatic mechanically switchable IR-cut filter |
| Shutter Time | Manual mode: WDR: up to 1/67500 s Linear: up to 1/67500 s Automatic Mode: Up to 1/10000 s |

Technical Specifications

MOBOTIX 4K (8MP) Vandal Bullet Analytics Camera

| | |
|-----------------------------------|---|
| WDR | Up to 130 dB Multi Exposure WDR & HDR Engine support |
| EIS (Electronic Image Stabilizer) | No |
| Zoom | Optical: 3.1x, Digital 10x |
| Image settings | Color, Brightness, Sharpness, Contrast White Balance, Exposure Control 2DNR, 3DNR, NR by Motion Masking, Text Overlay |
| Corridor Mode | 90°, 180°, 270° Rotation |

Video Codec

| | |
|----------------------|---|
| Compression/Encoding | H.265/H.264/MJPEG |
| Streaming | Up to 4 individually configurable streams in H.264/H.265/MJPEG Configurable resolution/frame rate/bandwidth LBR/VBR/CBR in H.265/H.264 |

Audio Codec

| | |
|----------------------|--|
| Compression/Encoding | G.711/G.726/AAC/LPCM |
| Streaming | 2-Way, bidirectional |
| Audio Input | Line In: Max 6.2 Vpp Signal In, Input Impedance: 33 kΩ |
| Audio Output | Line Out: 1 Vrms Signal Out, Output Resistance: 200 Ω |

Network

| | |
|---------------------|---|
| Interface | 10/100 Mbps Ethernet |
| Security | User Authentication/HTTPS/IP Filter/IEEE 802.1x |
| Supported Protocols | iARP, PPPoE, IPv4/v6, ICMP, IGMP, QoS, TCP, UDP, DHCP, UPnP, SNMP, SMTP, RTP, RTSP, HTTP, HTTPS, FTP, NTP, DDNS, SMBv2 |
| ONVIF conformance | Supports profiles S/G/T |
| Supported Browsers | Microsoft Internet Explorer 10 or higher, Google Chrome, Mozilla Firefox, Apple Safari; Microsoft Internet Explorer with ActiveX is recommended for best performance and H.265 support |

Technical Specifications

MOBOTIX 4K (8MP) Vandal Bullet Analytics Camera

System Integration

Base Video Analytics

- Motion Detection
- Tampering
- Audio noise Detection (ext. microphone required)

Enhanced Video Analytics (embedded)

- Abandoned objects
- Intrusion (object classification)
- Sabotage
- Wrong direction
- Loitering (object classification)
- Object count (object classification)
- Object removal
- Stopped vehicle (object classification)

2 analytics functions can be activated simultaneously

DNN (Deep Neural Network) based video analytics

- Face Recognition (incl. gender & age estimation)
- Number Plate Recognition; supported countries:
Armenia, Austria, Azerbaijan, Belarus, Belgium, Bosnia and Herzegovina, Bulgaria, Croatia, Cyprus, Czech Republic, Denmark, Estonia, Finland, France, Georgia, Germany, Greece, Hungary, Ireland, Israel, Italy, Japan, Kazakhstan, Kyrgyzstan, Latvia, Lithuania, Luxembourg, Moldova, Monaco, Montenegro, Netherlands, North Macedonia, Norway, Poland, Portugal, Romania, Russia, Serbia, Slovakia, Slovenia, Spain, Sweden, Switzerland, Taiwan, Turkey, Ukraine, United Kingdom, Uzbekistan, Vietnam

Event Triggers

- External input
- Analytics
- Network failure detection
- Periodical event
- Manual trigger

Event Actions

- External output activation
 - Video and audio recording to edge storage
 - File upload: FTP, network share and email
 - Notification: HTTP, FTP, email
-

General

| | |
|--------------------------------|---|
| Casing | Metal Back Housing, PC Front |
| Device Color | PC front cover: RAL9003 Sunshield: <ul style="list-style-type: none">▪ Logo color: Pantone 286C and Pantone Gray 6 Cu▪ Body color: RAL9003 Back metal body: RAL9003 |
| Power | PoE IEEE802.3af, class 0, max. 13 W PoE IEEE802.3af, max 12.95 W 12 V DC max. 15.59 W 24 V AC max. 13.31 W max. 25.08 VA |
| Connectors | RJ45, Alarm in x2, Alarm out x1, 12 VDC Terminal Block, 24 VAC Terminal Block, Audio in 3.5 mm Jack, Audio out 3.5 mm Jack, CVBS Connector COAX (75 Ohm) (CVBS output available with max. 2 activated streams) |
| IR Illumination | Up to 40 m distance depending on scenery reflection |
| Video Storage | Support for microSD/microSDHC/microSDXC card, Support for recording to NAS, MOBOTIX MOVE NVR |
| Environmental Protection Class | IP66/IK10 |
| Operating Conditions | Temperature range: -55 to 60 °C/-41 to 140 °F with Heater ON Cold start min. temp.: -30 °C/-22 °F 10 to 90 % rel. humidity (non-condensing) |
| Storage Conditions | -20 to 70 °C/-4 to 158 °F |

Technical Specifications




MOBOTIX 4K (8MP) Vandal Bullet Analytics Camera

Approvals EMC: CE/FCC
 Safety: LVD
 Environmental: IP66, IK10

Dimensions ø 105x233.8 mm

Weight 1280 g

Accessories

| Picture | Order Code | Description |
|---|-------------------|---|
|  | Mx-M-BC-P | Pole Mount (junction mount) for MOBOTIX MOVE Bullet Cameras |
|  | Mx-M-BC-W | Wall Mount (junction mount) for MOBOTIX MOVE Bullet Cameras |
|  | Mx-NPA-UPOE1A-60W | UPoE Network Power Injector 60 W |

Dimensions

NOTE! Download the drilling template from the section or on the MOBOTIX website: www.mobotix.com > Support > Download Center > Marketing & Documentation > Drilling Templates.

CAUTION! Always print or copy at 100% of the original size!

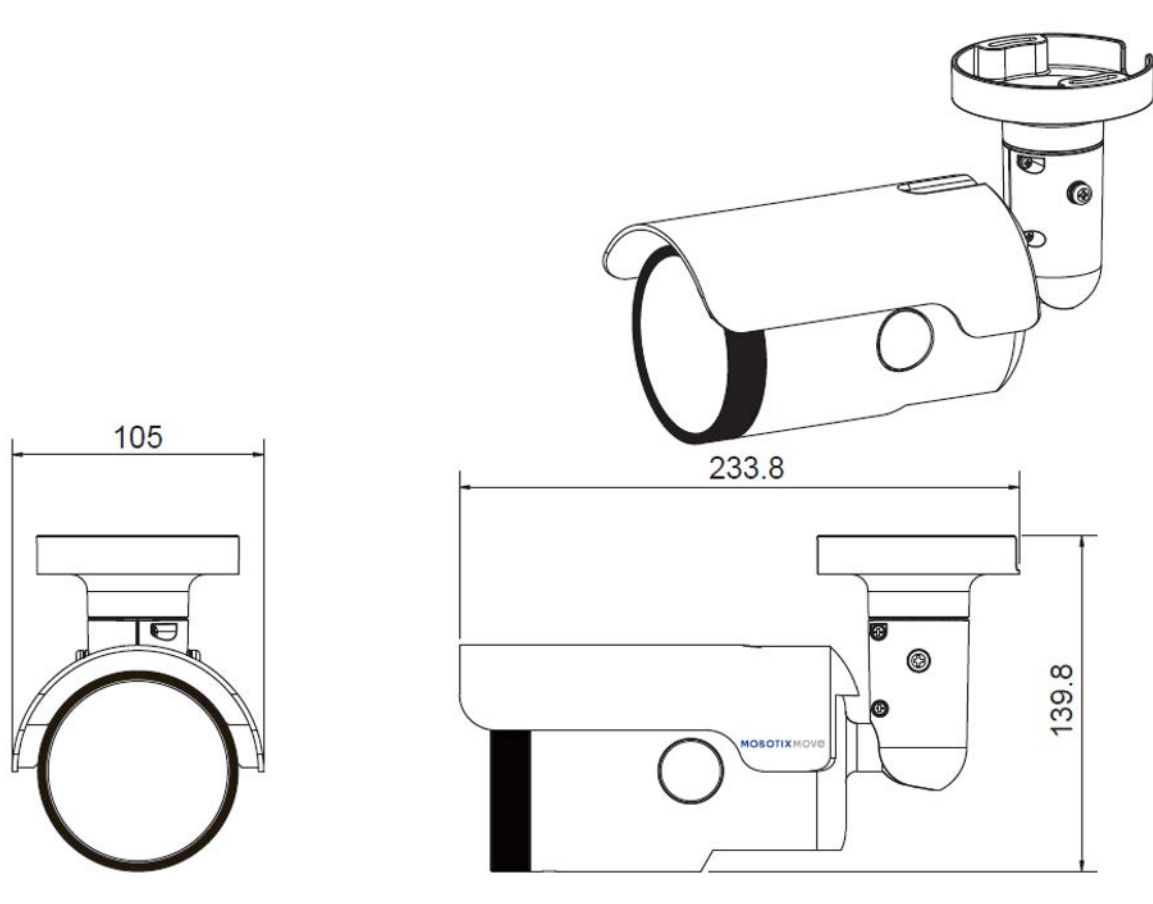


Fig. 1: 4K (8MP) Vandal Bullet Analytics Camera: All measurements in mm

MOBOTIX

BeyondHumanVision

[EN_11/21](#)

MOBOTIX AG • Kaiserstrasse • D-67722 Langmeil • Tel.: +49 6302 9816-103 • sales@mobotix.com • www.mobotix.com

MOBOTIX is a trademark of MOBOTIX AG registered in the European Union, the U.S.A., and in other countries. Subject to change without notice. MOBOTIX do not assume any liability for technical or editorial errors or omissions contained herein. All rights reserved. © MOBOTIX AG 2020