



Datenblatt - Fiche technique - Data sheet

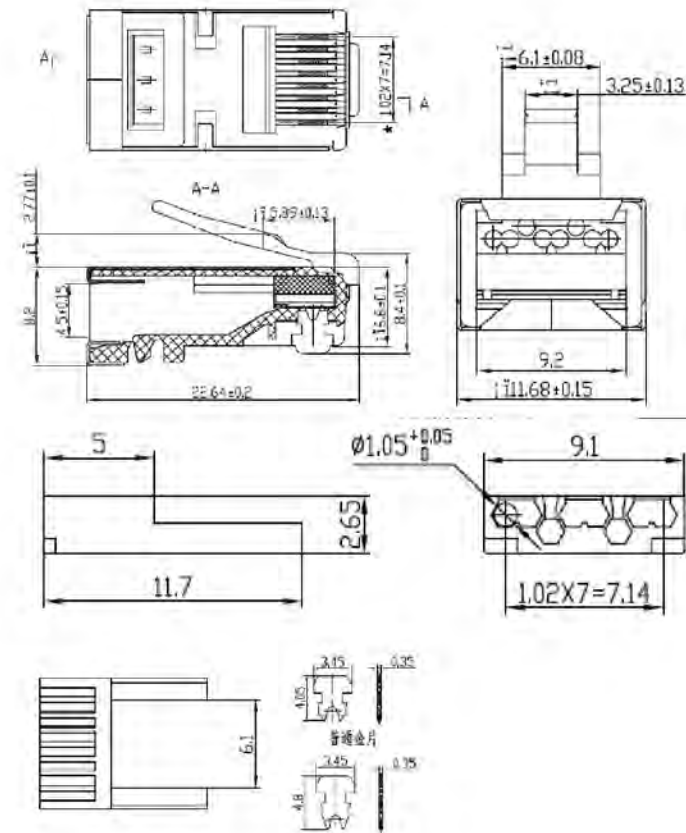
21.99.3063



VALUE Modular Plug geschirmt, Kat. 6, 10 Stck

VALUE Connecteur modulaire blindé, Cat. 6, 10 unités

VALUE Cat.6 Modular Plug, STP, for Stranded Wire, 10 pcs.



NOTE:

- Modular plug
- Modular plug ID: 1.05-1.1mm, used for wire OD: 0.94-1.04mm, cable OD:6.7mm Max, 4.5mm Min
- For round cat.6 STP and cat.6A stranded cable
- PIN 3μ Gold plating
- Shielded
- cable guide 6+2
- crimp type
- Material:PC/94V-2
- Color transparent
- RoHS2.0 AND REACH COMPLIANT
- PACKING:10 pcs/set/polybag + EAN sticker(Value)

ITEM NO
21.99.3063

DESC.	Shielded modular plug with cable guide for 8 cores round CAT.6 STP and CAT.6A STP stranded cable, crimp type
-------	--

		NEW	2016-11-14	A
BY	CHK	REVISION RECORD MODIFICATIONS	DATE	REV.

SECOMP